

Flange Service Tools MATCH

MSW9TEX

MECHANICAL
FLANGE SPREADING WEDGE
SINGLE KIT ATEX

TECHNICAL DATA SHEET



SPREADING FORCE:

203 N·m torque give **9.4 t (94 kN)** spreading force per tool
It is advisable to use tools in pairs, resulting in a total spreading force of: 2 x 9.4 t = 18.8 t (188 kN)

SPREADING DISTANCE:

With a pair of Stepped Blocks: **6 mm - 81 mm**

KIT CONTENTS:

- 1 x Wedgehead
- 1 x 203 N·m (150ft·lb) Torque Wrench
- 1 x 22 mm socket
- 1 x Safety Block
- 1 x Safety Lanyard with 2 buckles
- 1 x Pair of Stepped Blocks
- 1 x Hex Key
- 1 x Carry-Case

Product Code	Tool
MSW9TEX Single Kit	1 x MSW9TEX

MATCH MSW9TEX

is marked as:
II 2G Ex h IIB T6Gb
II 2D EX h IIIC T85 °C Db
(ATEX Directive 2014/34/EU)



WEIGHTS AND DIMENSIONS:

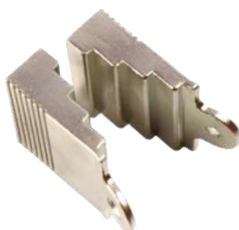
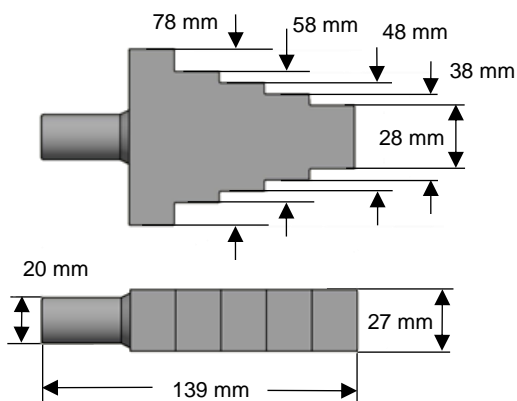
Tool weight: 5.8 kg (12.8 lb)
Tool Kit weight: 11.8 kg (26.0 lb)
Safety Block: 0.35 kg (0.8 lb)
Stepped Block: 0.52 kg (1.1 lb)

Packaging Dimensions:
440 mm x 310 mm x 130 mm

STEPPED BLOCK: P/N: SBM62

Using Stepped Blocks either individually or in pairs, allows for a **maximum spreading distance of 81 mm**

SAFETY BLOCK: P/N: B1095



MATCH-CEE e.U.
Flansch Service Werkzeuge und Hochdruckhydraulik
Schlachthausgasse 30/6/13
A-1030 Wien / ÖSTERREICH

www.flanschspreizer.at

info@flangespreader.eu

MATCH s.r.o
Flange Service Tools
Studena 2
SK-82104 Bratislava / SLOVAKIA

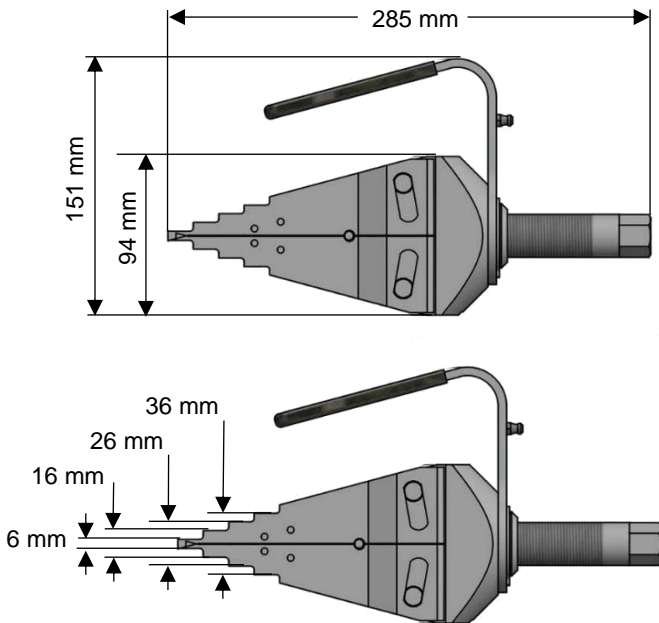
www.flangespreader.eu

MSW9TEX

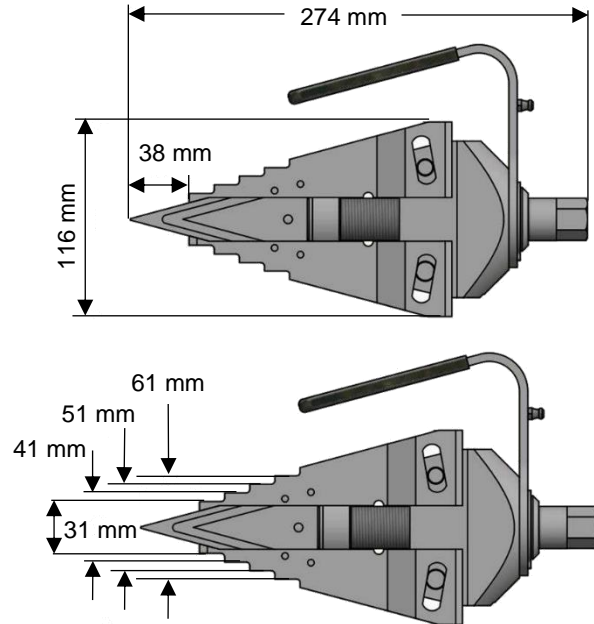
MECHANICAL FLANGE SPREADING WEDGE
ATEX



TOOL DIMENSIONS: FULLY CLOSED



FULLY EXTENDED

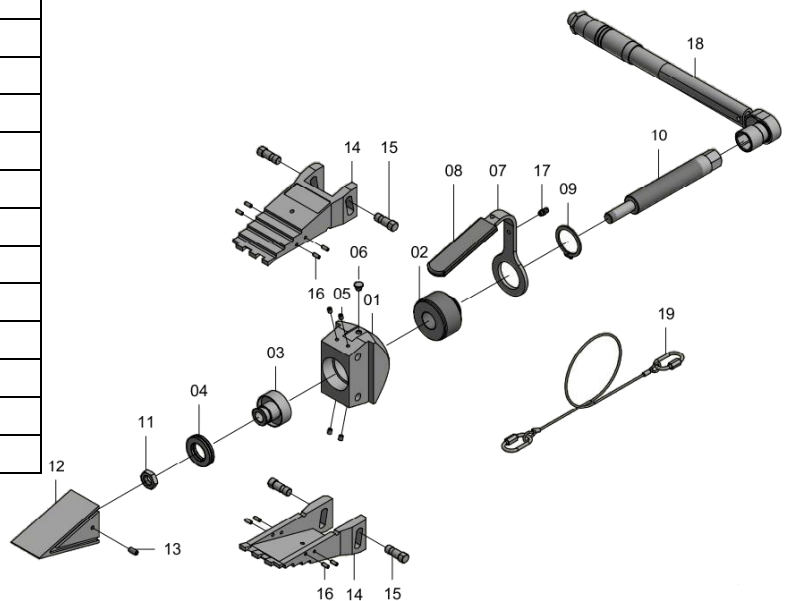


ITEM	P/N	PART NAME	QTY
1	C1139	Main Body	1
2	E2075	Adaptor	1
3	E2076	Thrust Bearing Carrier	1
4	K0056	Bearing Set	1
5	H0048	Screw	4
6	G0654	White Plastic Cap	1
7	C1141	Handle	1
8	G0651	Handle Sleeve	1
9	I0044	Snap Ring	1
10	E1911	Push Rod	1
11	H0378	Nut	1
12	C1140	Wedge	1
13	H0370	Screw	1
14	F0392	Forged Jaw	2
15	E2077	Slide Pin	4
16	I0109	Roll Pin	8
17	H0371	Grease Fitting	1
18	TW210	Torque-Wrench	1
19	LB294	Safety Lanyard	1

RANGE OF APPLICATION:

Flange Joints with at least 6 mm access gap

DANGER! – PE Case and hydraulic hoses Series HHxxx cannot be used in a potentially explosive atmosphere! Use Only ATEX certified hoses Series HHEXxxx!



Items 4, 5, 11, 13 & 15 are supplied in
Service Kit A, Product Code: 1490
Items 3 & 10 are supplied in
Service Kit B, Product Code: 1491

MATCH-CEE e.U.
Flansch Service Werkzeuge und Hochdruckhydraulik
Schlachthausgasse 30/6/13
A-1030 Wien / ÖSTERREICH

www.flanschspreizer.at

info@flangespreader.eu

MATCH s.r.o
Flange Service Tools
Studena 2
SK-82104 Bratislava / SLOVAKIA

www.flangespreader.eu