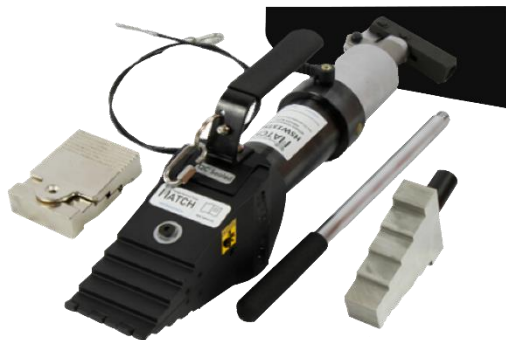


Flange Service Tools MATCH



HSW15TSCEX

INTEGRAL HYDRAULIC
FLANGE SPREADING WEDGE
ATEX

TECHNICAL DATA SHEET



SPREADING FORCE:

700 bar hydraulic pressure give **14.5 t (145 kN)** spreading force per tool

It is advisable to use tools in pairs, resulting in a total spreading force of: 2 x 14.5 t = 29.0 t (290 kN)

SPREADING DISTANCE:

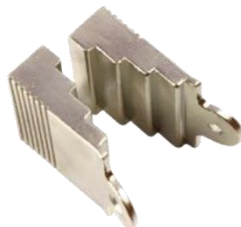
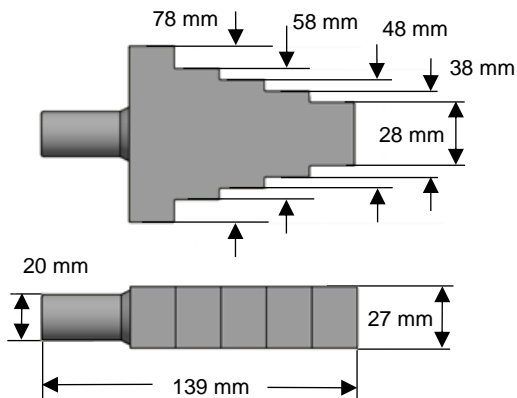
With a pair of Stepped Blocks: **6 mm - 81 mm**

KIT CONTENTS:

- 1 x Wedgehead
- 1 x 700 bar (10,000 psi) Hydraulic Cylinder with Integrated Pump
- 1 x Safety Block
- 1 x Safety Lanyard with 2 buckles
- 1 x Pair of Stepped Blocks
- 1 x Hex Key and Countersunk Screw
- 1 x Carry-Case

Product Code	Tool
HSW15TSCEX Kit	1 x HSW15TSCEX

SAFETY BLOCK: P/N: B1095



MATCH HSW15TSCEX

is marked as:

II 2G Ex h IIB T5 Gb
II 2D EX h IIIC T100 °C Db
(ATEX Directive 2014/34/EU)



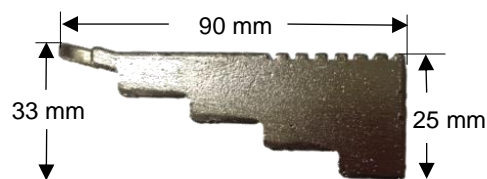
WEIGHTS AND DIMENSIONS:

Tool weight: 9.0 kg (19.8 lb)
Safety Block: 0.35 kg (0.8 lb)
Stepped Block: 0.52 kg (1.1 lb)
Gross Kit weight: 14.1 kg (31.2 lb)

Packaging Dimensions:
580 mm x 340 mm x 180 mm

STEPPED BLOCK: P/N: SBM62

Using Stepped Blocks either individually or in pairs, allows for a **maximum spreading distance of 81 mm**



MATCH-CEE e.U.
Flansch Service Werkzeuge und Hochdruckhydraulik
Schlachthausgasse 30/6/13
A-1030 Wien / ÖSTERREICH

www.flanschspreizer.at

info@flangespreader.eu

MATCH s.r.o.
Flange Service Tools
Studena 2
SK-82104 Bratislava / SLOVAKIA

www.flangespreader.eu

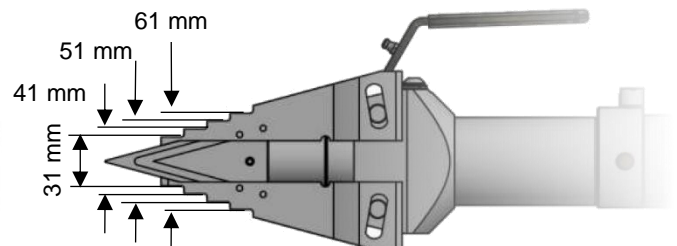
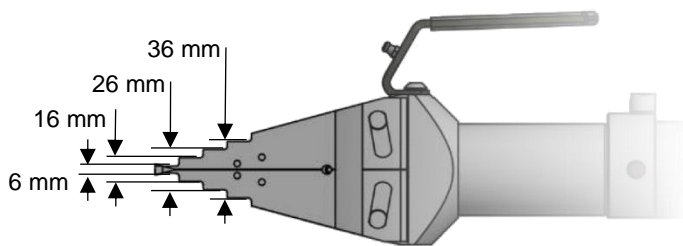
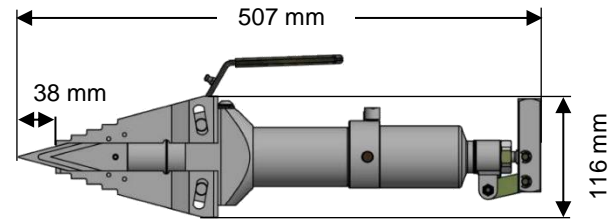
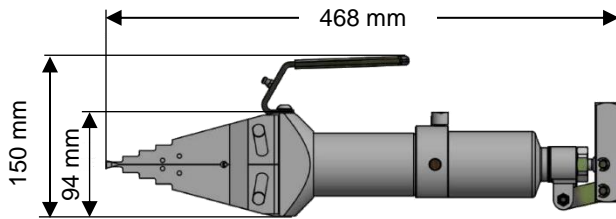
HSW15TSCEX

INTEGRAL HYDRAULIC
FLANGE SPREADING WEDGE - ATEX



TOOL DIMENSIONS: FULLY RETRACTED

FULLY EXTENDED

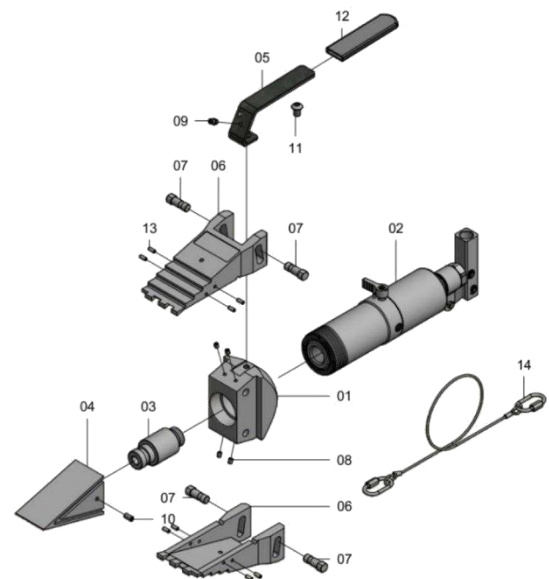


RANGE OF APPLICATION:

Flange Joints with at least 6 mm access gap

DANGER! – PE Case cannot be used in a potentially explosive atmosphere!

ITEM	P/N	PART NAME	QTY
1	C1139	Main Body	1
2	PM102	Integral Pump and Cylinder	1
3	E2078	Push Pin	1
4	C1140	Wedge	1
5	C1543	Handle	1
6	F0392	Forged Jaw	2
7	E2077	Slide Pin	4
8	H0048	Screw	4
9	H0371	Grease Fitting	1
10	H0370	Screw	1
11	H0372	Screw	1
12	G0651	Handle Sleeve	1
13	I0109	Roll Pin Split	8
14	LB294	Safety Lanyard	1



Items 7, 8, 10, 11 & 13 are supplied in
Service Kit A, Product Code: 1492

MATCH-CEE e.U.
Flansch Service Werkzeuge und Hochdruckhydraulik
Schlachthausgasse 30/6/13
A-1030 Wien / ÖSTERREICH

www.flanschspreizer.at

info@flangespreader.eu

MATCH s.r.o.
Flange Service Tools
Studena 2
SK-82104 Bratislava / SLOVAKIA

www.flangespreader.eu